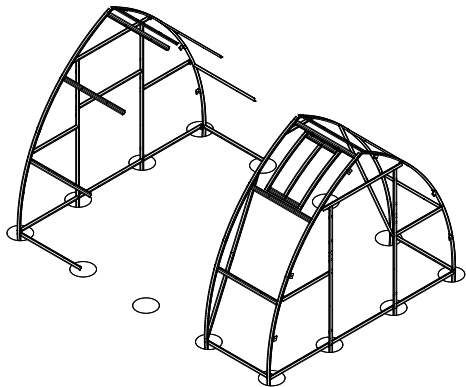


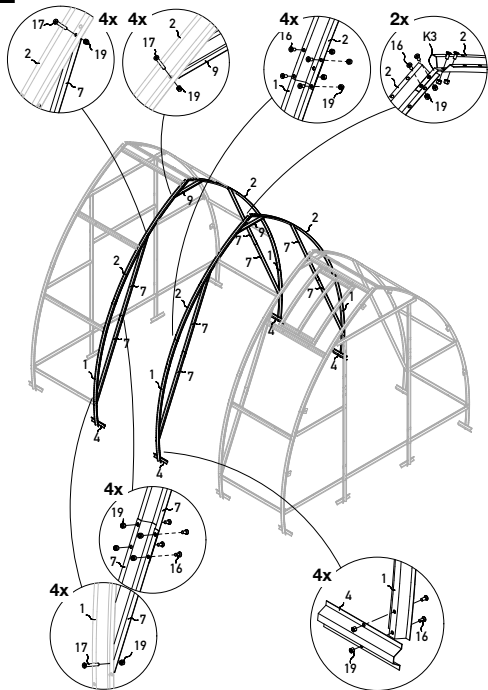


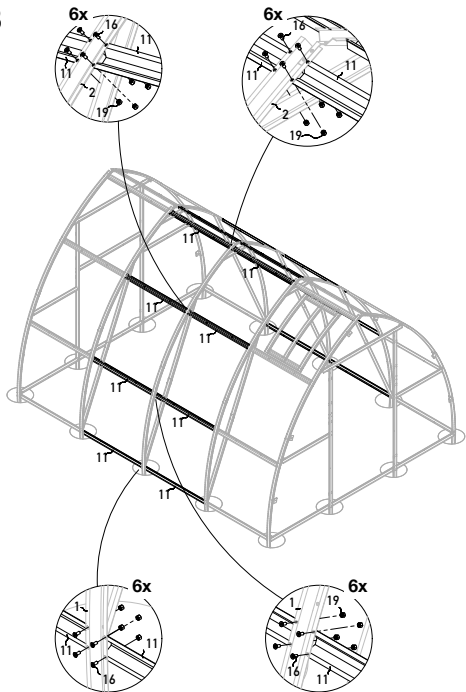
THE LIST OF EXTENSION 2m

№	Name	Length, mm	Qty
1	Arch (down)	1650	4
2	Arch (top)	1650	4
4	Pillars to the ground	200	4
7	Reinforcement	1060	8
9	Fixing profile for arches	375	2
11	Fastenings of the arches - crossbars	955	16
16	Screws M5-12		128
17	Screws M5-40		48
19	Internal screws M5		176
20	Gasket slides		24
PC7	Ridge	1050	2
PC8	Connection profile	990	4
PC9	Compression band	5935	2
K3	Connection of top post (plate with 4 holes)		2
Polycarbonate sheets			
PC1	Polycarbonate sheet	990x2000	4
PC2	Polycarbonate sheet	990x1970	2

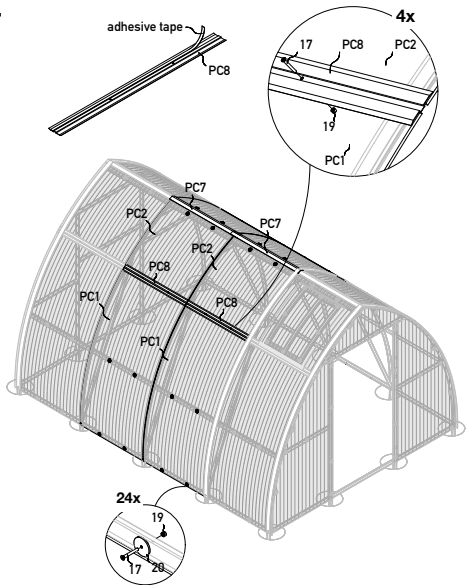
1



2

3

4



5

